

MBS ACCESS

01376 583 967

WWW.MBSACCESS.CO.UK

HINOWA 20.10



Set up within a 3m squared area

3 speed drive system

Umbilical remote control

Levelling and retraction

One touch outrigger setting

230kg capacity for the whole working area

Wide range of motorizations available

Speed and precision of the movements

Auto speed control taking into account ground conditions and track width extension status and wireless remote controls.

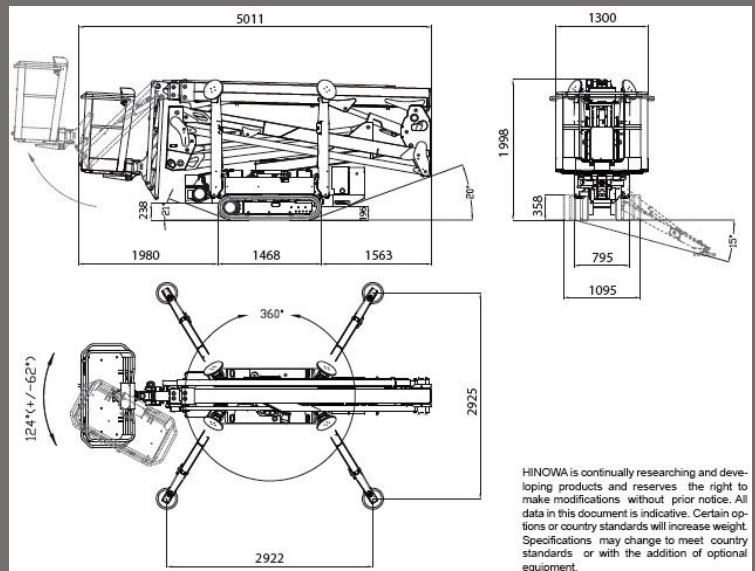
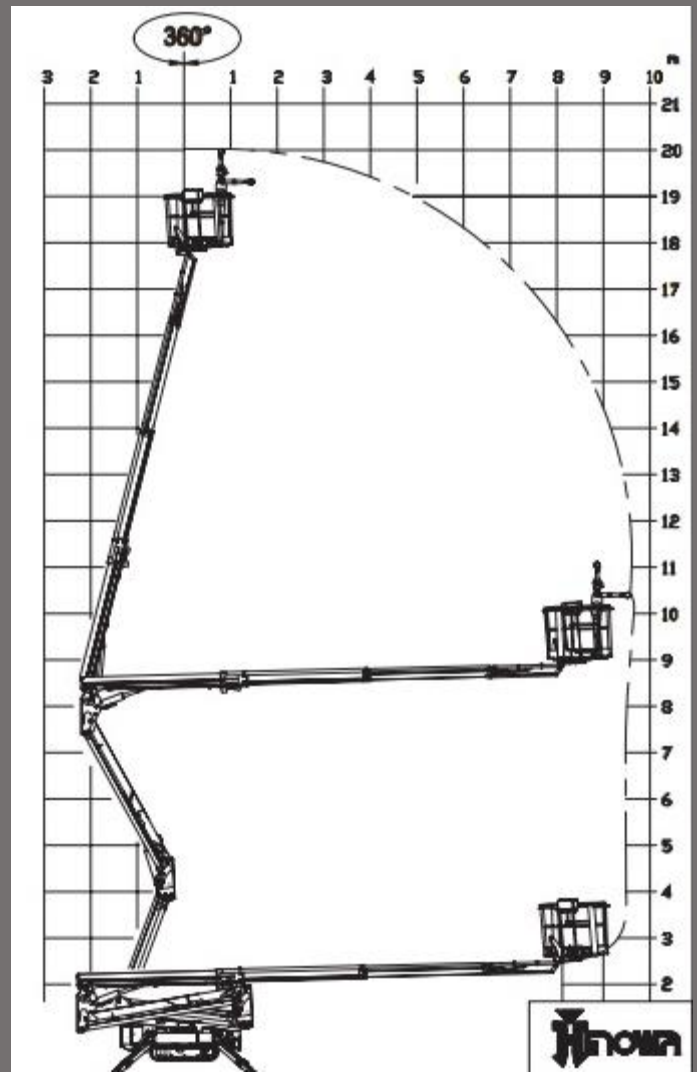
20 meter working height and 9.7m continuous outreach with flush with the wall trajectory

The control panel displays when the machine is due for a service and allows the owner to remotely monitor the machine's location and operation – as well as remotely diagnose faults.

NOW AVAILABLE IN LITHIUM



MEASUREMENTS	METRIC (M)
Working Height	20.10m
Horizontal Outreach	9.70m
Machine Width	795/1095mm
Cage Dimensions	1335x690xh.1100mm
Transport Length	5.01m
Transport Length Without Basket	4.50m
Transport Height	1.99m
Total Weight	2880kg
Weight Without Fuels and Oil	2800kg
Thermic Engine Diesel	Honda IGX440-12,7HP 3600rpm
Electric Motor	2,2kw-230V-50Hz



HINOWA is continually researching and developing products and reserves the right to make modifications without prior notice. All data in this document is indicative. Certain options or country standards will increase weight. Specifications may change to meet country standards or with the addition of optional equipment.

